

GD-STAR03/STAR13

2MP STARVIS Indoor Dome Camera



GD-STAR03

GD-STAR13



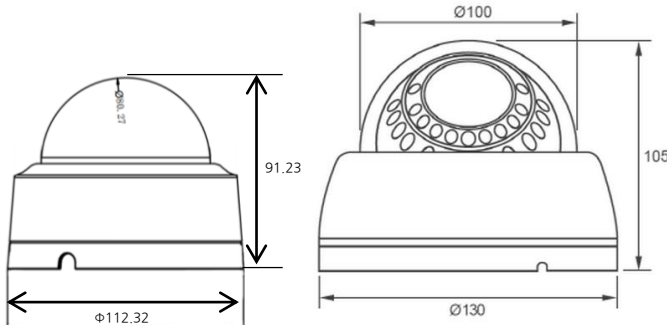
FEATURES

- 1/2.8" SONY Progressive Scan **STARVIS** CMOS Sensor
- Double shutter Wide Dynamic Range (WDR, 30fps)
- Superior low light performance (Max GAIN 63dB cf.) 1.5x better than Exmor IMX222(Max GAIN 42dB)
- Multiple Output Mode
 - HD-SDI / EX-SDI / HD-TVI / Analog
- DNR (Digital Noise Reduction : 2D + 3D)
- Day & Night Function
- Sens-Up Function
- Option : IR-LED / ICR Lens or TDN Mechanism

- GFD-STAR03 : 2.8-12mm V/F, OSD
- GFD-STAR03F : 3.6mm Fixed
- GFD-STAR13 : 2.8-12mm V/F, OSD

DIMENSION

(Unit : mm)



GFD-STAR03

GFD-STAR13

SPECIFICATION

	GD-STAR03	GD-STAR13
VIDEO		
Sensor	1/2.8" SONY Exmor R Progressive Scan CMOS	
Effective Pixels	1920(H) x 1080(V)	
Resolution	1080p(30p/25p)	
Min. Illumination	0.03Lux Max. Gain 63dB, F1.4 (Sens-up OFF)	
S/N Ratio	52dB (AGC OFF)	
Sync. System	Internal / Line-Lock	
Video Output	HD-SDI	1080p@30fps 1.485Gbps
	EX-SDI	1080p@30/25fp, 3Gbps
	HD-TVI	1080p@30/25fp
	Analog	960H, D1, CIF
LENS		
Focus	2.8~12mm Vari-Focal 3.6mm Fixed (Option)	2.8~12mm Vari-Focal
Type	Manual	
Lens Type	DC Auto IRIS	
FUNCTIONS		
On Screen Display	Multi Language	
Day & Night	AUTO/ DAY/ B&W / EXT1 / EXT2	
ATW	1800 ~ 10500K	
WDR(Real, 30fps)	Off / WDR(Low / Middle / High)	
D-WDR	OFF / ON	
BLC	OFF / ON (Size / Position)	
HLC	Level Setting(0~20), Color	
DNR	2D+3D, OFF/LOW/MIDDLE/HIGH	
White Balance	AUTO / AUTO ext / PUSH / MANUAL	
Electric Shutter	1/30 ~ 1/60,000sec	
D-Zoom	OFF / ON (Level Setting)	
Motion Detection	OFF / ON	
Privacy Mask	OFF / ON (32 Areas)	
SENS-UP	OFF / ON (Auto)	
IR-LED	24pcs(OPTION)	30pcs(OPTION)
OPERATION		
Temp./Humidity	-20°C ~ +50°C / Under 90% RH	
POWER		
Input Voltage	DC 12V	
Power Consumption	250mA ± 10% / 600mA ± 10% (IR-LED On)	
CASE		
Color / Material	Plastic (Dome Cover : Clear)	
Dimension	112.32mm(Φ) X 91.23mm(H)	130mm(Φ) x 105mm(H)
Weight	300g	350g

* Specification and design are subject to change without notice.

NETWORK

STARVIS

HD(EX)-SDI

HD-TVI

AHD

ANALOG

WIRELESS

SENSOR

INDUSTRIAL